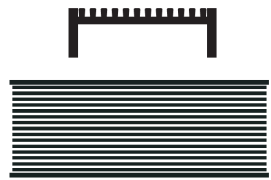
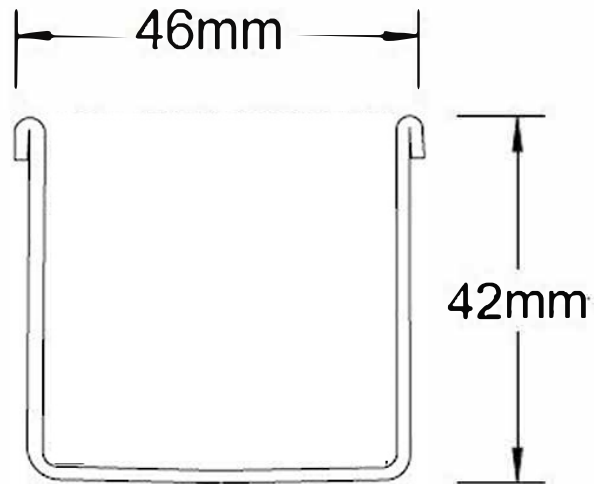




# 38 x40 grate and channel order form

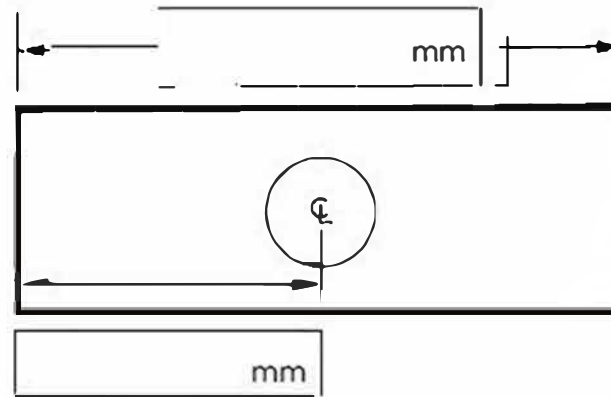


AR Architectural  
2mm wire  
2.5mm gap



PS Punched  
Slot

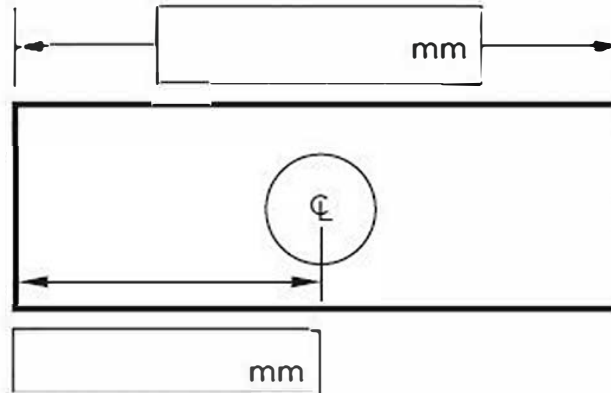
Drain 1



Outlet Size

- 25mm
- 32mm

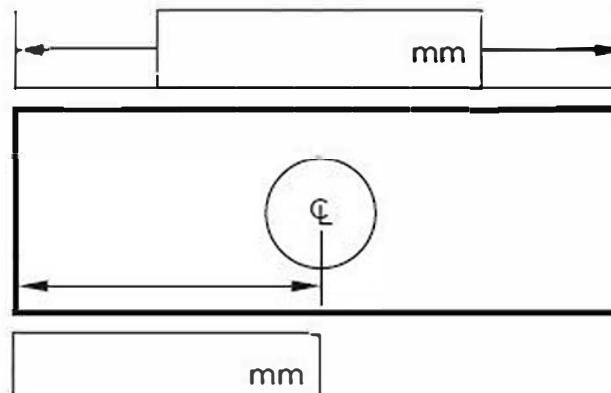
Drain 2



Outlet Size

- 25mm
- 32mm

Drain 3



Outlet Size

- 25mm
- 32mm

Full Name

Email Address

Company Name

Signature

Telephone

Phone 01483 346 460

Email [technical@slimlinedrain.co.uk](mailto:technical@slimlinedrain.co.uk)

[slimlinedrain.co.uk](http://slimlinedrain.co.uk)

