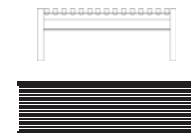


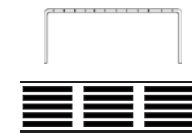
Threshold drain - Premium for Sub Sil and Order Form



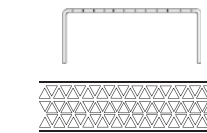
Grates



Architectural (AR)

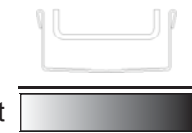


Punched Slot (PS)



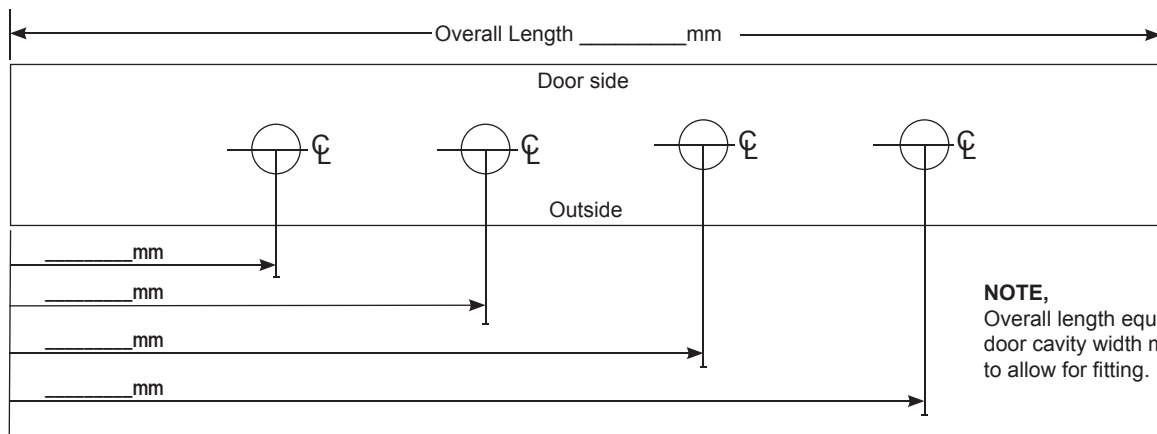
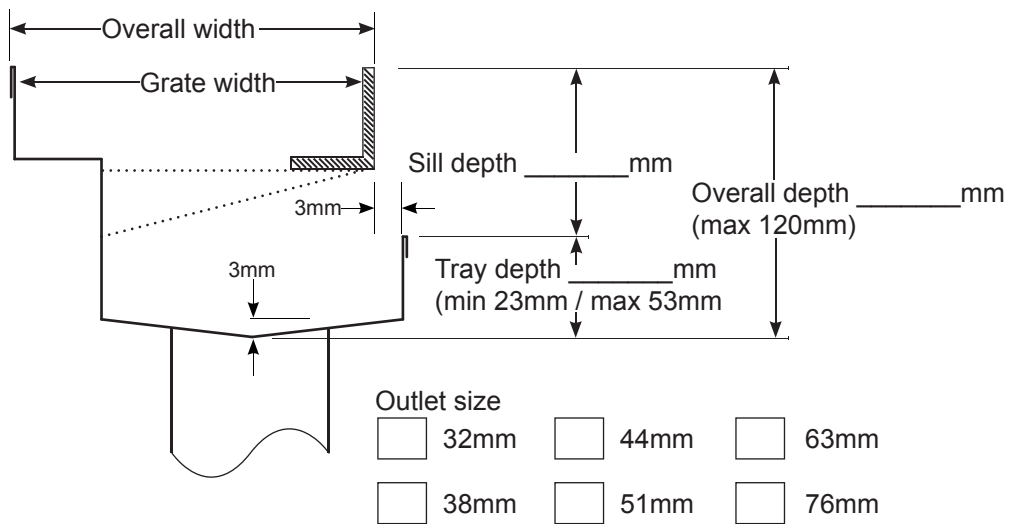
Marc Newson (MND)

Tile Insert



14mm ID (Suits max 12mm tile)

- | | | |
|--|--------------------------------------|---|
| <input type="checkbox"/> 65mm Tile Insert | <input type="checkbox"/> 65mm Grate | Overall width = 74mm (Min sill depth 35mm) |
| <input type="checkbox"/> 100mm Tile Insert | <input type="checkbox"/> 100mm Grate | Overall width = 109mm (Min sill depth 30mm) |



NOTE,
Overall length equals door cavity width minus 4mm to allow for fitting.

Name	Email
<input style="width: 95%;" type="text"/>	<input style="width: 95%;" type="text"/>
Company Name	
<input style="width: 95%;" type="text"/>	
Telephone	Signature & date
<input style="width: 95%;" type="text"/>	<input style="width: 95%;" type="text"/>

Phone 01483 346 460 or Email technical@slimlinedrain.co.uk

